

WELCOME TO THE YO DABBA DABBA FAMILY

PLEASE READ THROUGH THIS MANUAL BEFORE
ASSEMBLING AND ENJOYING YOUR NEW
ELECTRONIC NAIL. WE ARE HERE TO HELP WITH
ANY QUESTIONS YOU MAY HAVE.

For more information visit:

 [YoDabbaDabba.com](https://yodabbadabba.com)

 [Youtube.com/yodabbadabba](https://youtube.com/yodabbadabba)

 [@YoDabbaDabbaTools](https://instagram.com/yodabbadabbatools)



[YODABBADABBA.COM](https://yodabbadabba.com)
602.753.2222

 @YODABBADABBATOOLS



CLASSIC
25^{MM}

ENAIL USER MANUAL



YO DABBA DABBA

WHAT'S IN THE BOX

- A. POWER CORD
- B. CONTROL BOX
- C. QUARTZ CARB CAP
- D. 25^{MM} R-CLIP EBANGER
- E. 25^{MM} COIL

DO:

- Ensure the coil is secure before use.
- Keep the coil and unit away from liquids.
- Allow the coil to fully cool, naturally, before handling or storing.
- Only use compatible Yo Dabba Dabba accessories.
- Keep away from children and pets.
- Know your state laws.
- Grip the coil at the base when removing from the unit.

DON'T:

- Do not use the coil near fabrics or paper products.
- Do not modify the control box.
- Do not twist, stretch or try to manipulate the heating coil cord.
- This unit does not have an auto-off feature. Do not leave the unit on unattended.
- Do not leave the carb cap on the nail while the heating coil is attached.
- Do not attempt to clean the unit while powered on.
- Do not operate around volatile or flammable materials.

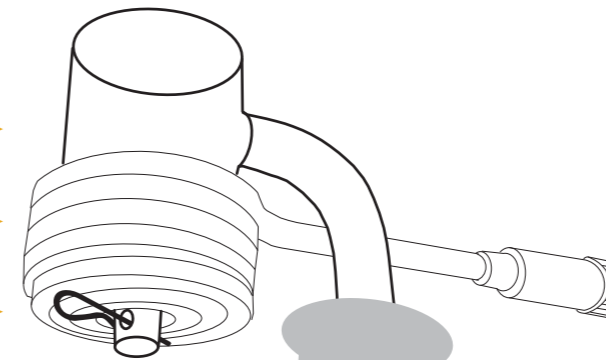
HOW TO ASSEMBLE

- 1 Place the banger into the coil and insert the R-Clip halfway through the bottom support arm.
- 2 Attach the coil to the control box by lining up the arrows on each part.
- 3 Flip the red power switch on.
- 4 Use the up and down arrows to adjust the temperature setting until the desired temperature is displayed. You do not need to press the 'Set' button. Set is for factory programming and is not needed for regular function. Accidentally pressing the Set button will not harm the device.

BANGER

HEATING COIL

R-CLIP



CAUTION:

This unit is a fire hazard, please operate with extreme caution. The coil is capable of reaching upwards of 1,000°F and can cause serious injury and burns, or permanently damage property. Never leave on or unattended.

TROUBLESHOOTING:

If the display box reads 'E44' there's an issue with the coil. A new coil will resume proper function.

MAINTENANCE:

Check out our FAQ Page for tips on routine maintenance and more information.
yodabbadabba.com/dabbing-resources/enail-faq



LOW TEMP: 550-600°F

HIGH TEMP: 750°F+

*Do not exceed 900°F

***NOTE:** Due to environmental conditions the temperature between the coil and nail can vary by 100 degrees.

REGISTER:

Fill out this quick form to streamline any warranty claims and receive a sticker pack from us!

yodabbadabba.com/warranty

